



Ryerson Tull
Metal Building
Products

3136 NW 35th Avenue
 Portland, Oregon 97210
 (503) 295-8449
 1-800-873-7613
 Fax (503) 295-6295

BUILDING TRIM – HIGH RIB

		GALVANIZED PRICE	PAINTED PRICE
	HR GABLE 10'6"	\$	\$
	HR 6" GABLE 10'6"	\$	\$
	HR OS CORNER 10'6"	\$	\$
	HR IS CORNER 10'6"	\$	\$
	HR BASE TRIM 10'6"	\$	\$

PRICES FOB: _____

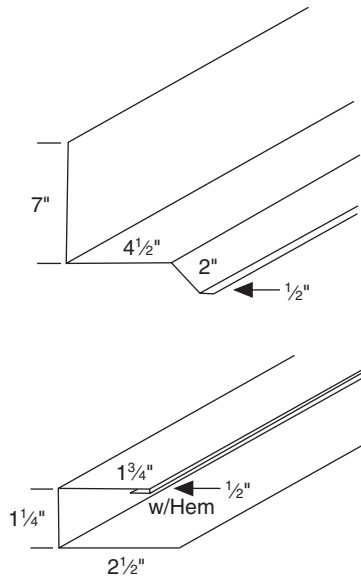
**PRICES SUBJECT TO CHANGE WITHOUT NOTICE
 ALL MATERIAL SUBJECT TO PRIOR SALE**



Ryerson Tull
Metal Building
Products

3136 NW 35th Avenue
Portland, Oregon 97210
(503) 295-8449
1-800-873-7613
Fax (503) 295-6295

BUILDING TRIM – HIGH RIB



HR SIDEWALL 10'6"

**GALVANIZED
PRICE**

**PAINTED
PRICE**

\$

\$

HR STYLE C 10'6"

\$

\$

FIBERGLASS

CLEAR – SNOW



2 1/2 CORR (5 OZ.)
AVAILABLE IN 8' 10' 12' AND 20'

2' COVERAGE

\$ L/F



GR7 (5 OZ.)
STOCK LENGTHS
AVAILABLE IN 8' 10' 12' AND 20'

3' COVERAGE

\$ L/F



HR4 (5 OZ.)
STOCK LENGTHS
AVAILABLE IN 8' 10' 12' AND 20'

3' COVERAGE

\$ L/F



HR4 (8 OZ.) (SNOW ONLY)
STOCK LENGTHS
AVAILABLE IN 20' ONLY

3' COVERAGE

\$ L/F

PRICES FOB: _____

**PRICES SUBJECT TO CHANGE WITHOUT NOTICE
ALL MATERIAL SUBJECT TO PRIOR SALE**